

## PRODUCT DATASHEET

## HIGH BAY LED EMERGENCY KIT 320W

### DESCRIPTION

IP65 LED emergency kit operates from 100Vac to 277Vac input voltage and provides Max.30W output power for 180mins at emergency lighting mode. The kit will switch into emergency mode automatically when the AC power fails. Intelligent IC for over charging and over discharging protection.

### FEATURES

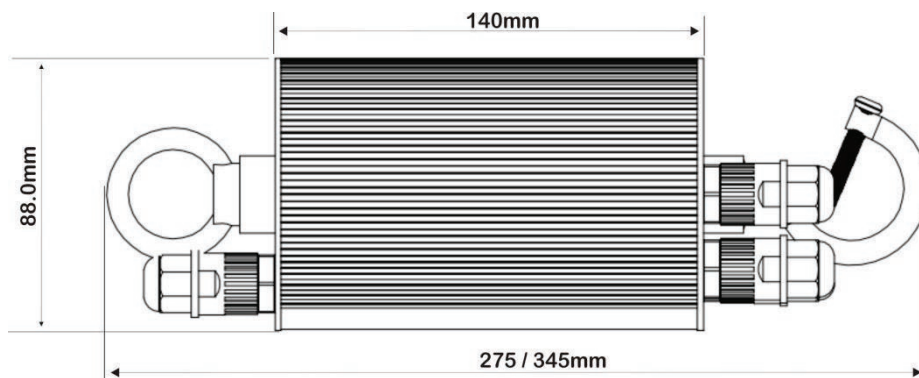
- For 50-320W LED lamps
- Wide voltage input AC100-277V
- Long lasting LiFePO4 battery pack
- Test and indicators function
- Constant current / SELV output
- Test function & status LED indicator
- Overcharge & over discharge protection
- Over temperature protection
- Short circuit protection
- Aluminum alloy housing



### MODEL INFORMATION

Model	Input Voltage	Input Power	EM Power	EM Time	Dimension (mm)	Battery	Housing
FL30W	AC100-277V	320W	30W	180mins	345*φ88	LiFePO4 9.6V 12Ah	Aluminum
FL15W	AC100-277V	150W	15W	180mins	275*φ88	LiFePO4 9.6V 6Ah	Aluminum
FL10W	AC100-277V	100W	10W	180mins	275*φ88	LiFePO4 9.6V 4Ah	Aluminum

### DIMENSION (Unit: mm, ±1mm)



# PRODUCT DATASHEET

## HIGH BAY LED EMERGENCY KIT 320W

### LED INDICATOR AND TEST BUTTON

Indicator	Status	Notes
Green	Normal AC power supply	
Red	Normal AC power supply Battery auto charging	Auto turn off after charged
Test Button (while pressing)	Simulated emergency lighting	

### TECHNICAL DATA (25°C/70% Rh, AC230V/50Hz, Rated load)

Input Voltage	AC100-277V~50/60Hz
Output Voltage	100-260V, Max. 270V
Input Power	50-320W
Battery Type	LiFePO4 9.6V
Emergency Time	180mins
Charge Time	≤24Hrs
Charging Current	Max. 350mA
Emergency Output	10W / 15W / 30W
Short Circuit Protection	Current limited output; Automatic recovery after short circuit removed
Open Circuit Protection	Constant voltage output; shut down system after 3s in emergency mode
Overheat Protection	≥65±10°C, automatic recovery after cooling
Ambient Temperature	5°C - 60°C
IP Protection	IP65

**PRODUCT DATASHEET**

**HIGH BAY LED EMERGENCY KIT 320W**

**WIRING DIAGRAM**

**1 AC INPUT**

Hole site	Connection
L	Un-Switched line
2	Switched line
N	Neutral
1	Earth

**2 Output to LED driver AC**

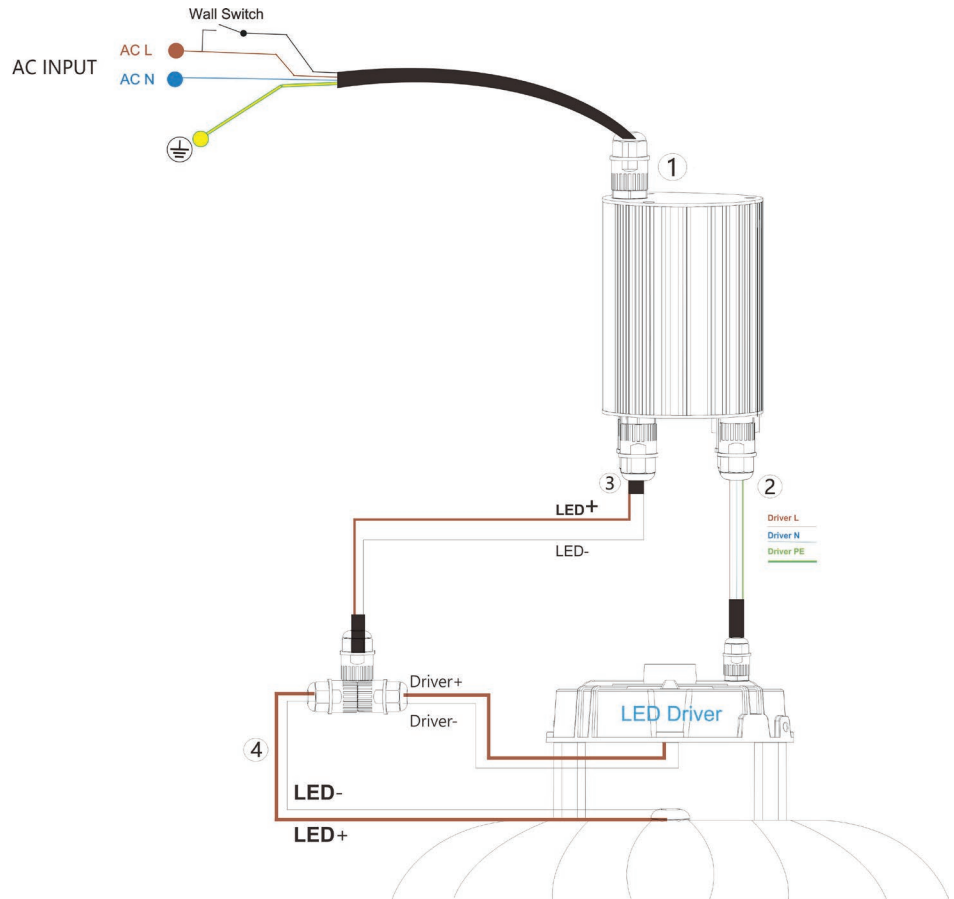
Hole site	Connection
Driver-L	
Driver-N	
Driver-PE	

**3 Output to LED driver DC**

Hole site	Connection
Driver-DC+	
Driver-DC-	

**4 Output to LED lamps board**

Hole site	Connection
LED-DC+	
LED-DC-	



**Warning: the switch wire (Wall switch) must be in the same phase with charging wire!**

**Note: the battery kit shall be charged on each three to six months if stores in warehouse.**